

YCCH6 Modular AC Contactor

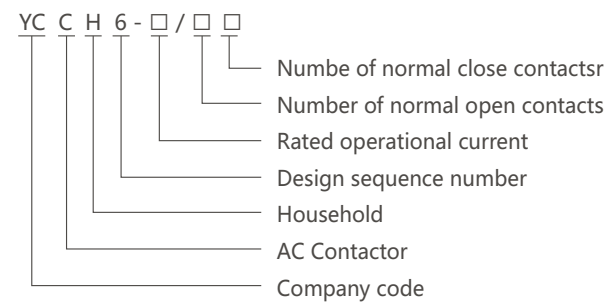
General

YCCH6 series modular AC contactor is suitable for using in the circuits the rated voltage up to 400V AC 50Hz or 60Hz and rated current up to 63A to control household electrical appliances or similar components. And it also can be used to control household motor by decreasing the power.

Application: House, hotel, apartment etc. to achieve automatic feature. It's applied in mass produced household electrical appliances.

Standard: GB17885, IEC61095

Type designation



Operation and installation condition

1. Ambient air temperature: -5°C~+40°C, average temperature of 24 hours must be below +35°C
2. Altitude: ≤2000m
3. Relative humidity: The maximum temperature of 40 degrees,the air relative humidity not exceed 50%,at a lower temperature can allow for a higher relative humidity, for instance, if the temperature is 20°C,the air relative humidity could up to 90%,if humidity changes as a result of occasional gel generated,should eliminate it.
4. Pollution level: 2
5. Installation category: II
6. Mounting: Use TH35-7.5 steel guide rail.
7. Protection level:IP20

Characteristic

Contactors belong to modular controlled equipment with new structure,small volume. It can be installed on the din rail with modular size,artistic design and strong reliability,adopting direct-acting inverted structure,can be used in the control cabinet,lighting box by combining with mini circuit breaker.

Enhance safety by using high quality insulating material.
Attractive appearance,low noise,suitable in hotel,hospital ect.

Specifications

1. Poles: 2 polos and 4 polos
2. Contacts' rated insulation voltage, rated conventional thermal current, utilization category, rated operational current, controlled power.

Table 1

Type	Utilization category	Rated insulation voltage(V)	Rated operational voltage(V)	Rated conventional thermal current(A)	Rated operational current(A)	Controlled power (kW)
YCCH6-25/20	AC-1, AC-7a	500	230	20	20	4
	AC-7b	500	230	20	9	1.2
YCCH6-25/11	AC-1, AC-7a	500	230	20	20	4
	AC-7b	500	230	20	9	1.2
YCCH6-25/02	AC-1, AC-7a	500	230	20	20	4
	AC-7b	500	230	20	9	1.2
YCCH6-25/40	AC-1, AC-7a	500	400	25	25	16
YCCH6-25/22	AC-1, AC-7a	500	400	25	25	16
YCCH6-63/20	AC-1, AC-7a	500	230	63	63	12
YCCH6-63/11	AC-1, AC-7a	500	230	63	63	12
YCCH6-63/40	AC-1, AC-7a	500	400	63	63	40

3. Operating conditions: with ambient air temperature: -5°C~+40°C, Control rated supply voltage to make contactors' coil thermal and keep stable, contactor should close reliably with any voltage between 85%~110% U_s
4. Mechanical life: Contactors' mechanical life should be over a million times
5. Electrical life: Contactors' electrical life should be over 100 thousand times

Overall and mounting dimensions(mm)

Outline and installation dimensions(Table 2)

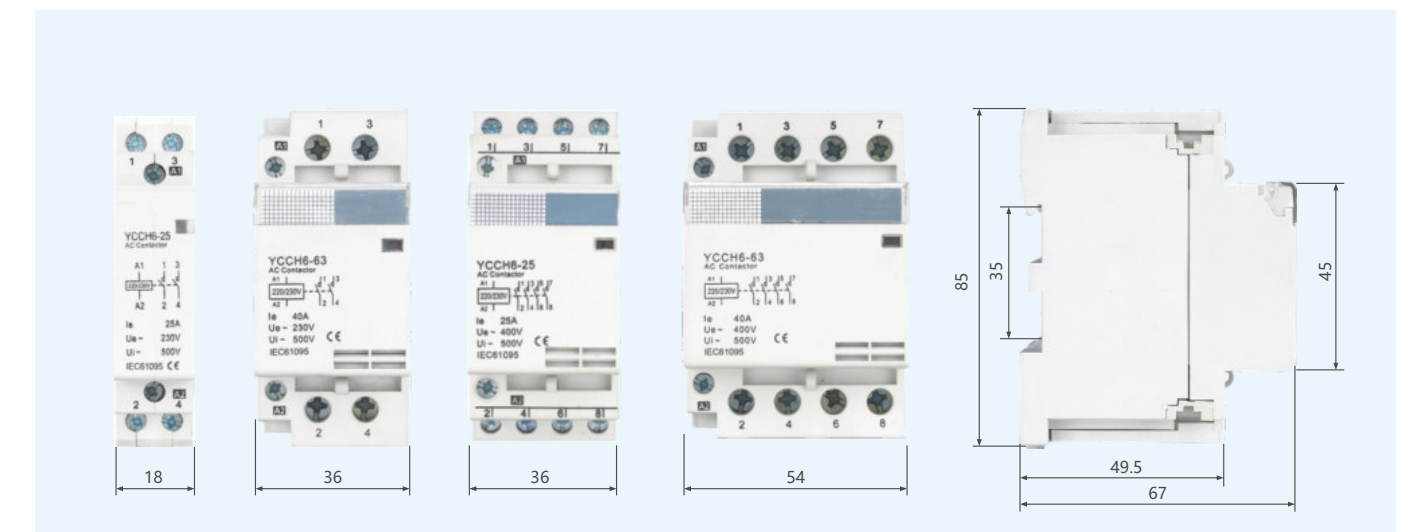


Table 2

Model	D(2P)(4)	L	L1	L2	H	H1	H2
YCCH6-25	18 36	85	35.5	45	65.5	60	44
YCCH6-63	36 54	85	35.5	45	65.5	60	44

WCT Modular AC Contactor

General

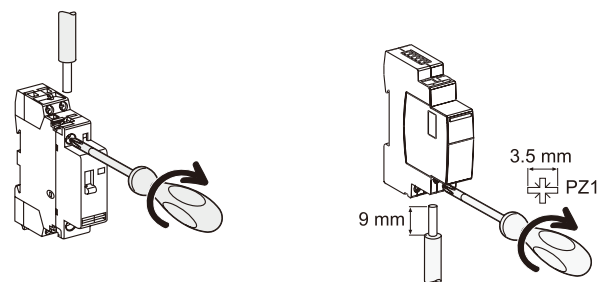
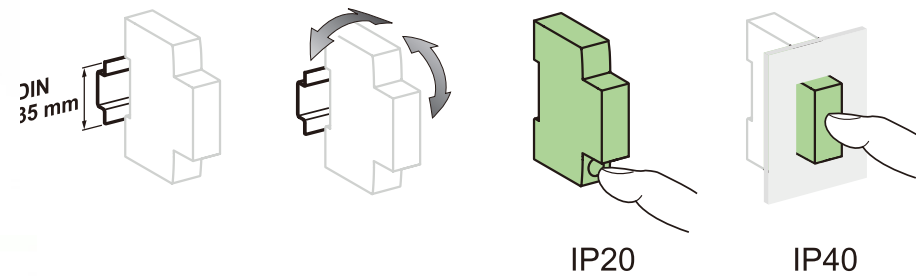
WCT modular contactor is applicable to alternative circuit with rated voltage up to 400V, rated current up to 100A and rated frequency 50/60Hz. The product is used for remote switching and controlling of power circuit.

Characteristic

Our products have an excellent ratio between price and quality, you can possess them by competitive price and high quality;
 The fast and flexible production form aim at the customer require;
 The deliveries exactly in accordance with customer orders
 The fast transportation.
 Adopt electromagnetic style release, can play a leak electricity and electric shock protecting role while breaking in zero Line.

Operation and installation condition

Circumstance temperature $-5^{\circ}\text{C} \sim +40^{\circ}\text{C}$, average temperature within 24h not exceeding $+35^{\circ}\text{C}$.
 Altitude above sea level less than 2000 m.
 Humidity not exceeding 50% at 40°C and not exceeding 90% at 25°C .
 Installation class II or III.
 Pollution class 2.
 Installation method DIN Rail mounting type.
 The external magnetism shall not be more than 5 times of terrestrial one.
 Product shall be installed at the place where there shall be no severe impact and vibration.

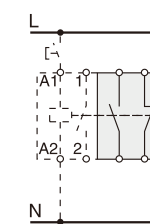


Specification

Type		WCT-16	WCT-20	WCT-25	WCT-32	WCT-40	WCT-63	WCT-100	
AUTO 2 pole	current	AC-7a	16A 3kw	20A 4kw	25A 5.4kw	32A 6.6kw	40A 8.4kw	63A 12kw	100A 18kw
		AC-7b	6A 1kw	7A 1.2kw	8.5A 1.5kw	12A 1.9kw	15A 2.4kw	20A 3.8kw	30A 5.4kw
	Control voltage	24V, 220-240V				220-240V			
contact type		2NO, 2NC, 1NC, 1NC, 1NO+1NC							
AUTO 4 pole	current	AC-7a	16A 7.5kw	20A 10kw	25A 16kw	32A 20kw	40A 26kw	63A 40kw	100A 70kw
		AC-7b	6A 2.1kw	7A 2.3kw	8.5A 3kw	12A 3.8kw	15A 4.8kw	20A 6.5kw	30A 9.5kw
	Control voltage	24V, 220-240V				220-240V			
contact type		4NO, 4NC, 3NO, 3NC, 3NO+1NC, 2NO+2NC							
MANUAL 2 pole	current	AC-7a	16A 3kw	20A 4kw	25A 5.4kw	32A 6.6kw	40A 8.4kw	63A 12kw	
		AC-7b	6A 1kw	7A 1.2kw	8.5A 1.5kw	12A 1.9kw	15A 2.4kw	20A 3.8kw	
	Control voltage	24, 220-240V				220-240V			
contact type		2NO, 2NC, 1NC, 1NC, 1NO+1NC							
MANUAL 4 pole	current	AC-7a	16A 7.5kw	20A 10kw	25A 16kw	32A 20kw	40A 26kw	63A 40kw	
		AC-7b	6A 2.1kw	7A 2.3kw	8.5A 3kw	12A 3.8kw	15A 4.8kw	20A 6.5kw	
	Control voltage	24V, 220-240V				220-240V			
contact type		4NO, 4NC, 3NO, 3NC, 3NO+1NC, 2NO+2NC							
The auxiliary contact type		2NO, 1NO+1NC							



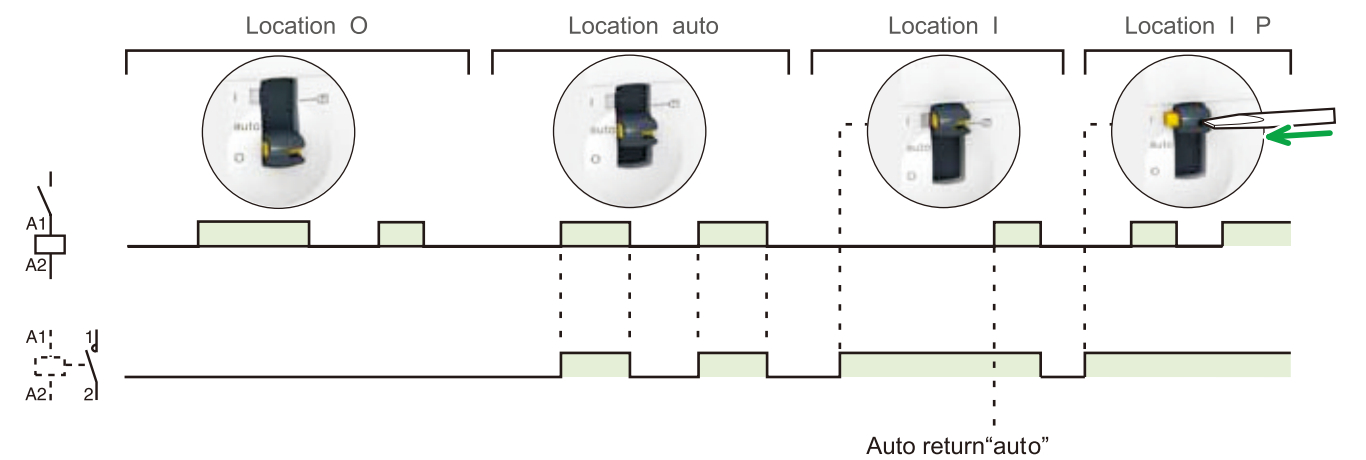
Drawing



WCT Contactor Type	Rated current In		control voltage V AC 50 Hz	contact	Width Multiple of 9mm
	AC7a	AC7b			
1P 	25 A	8.5 A	230...240	1NO	2
2P 	16 A	6 A	230...240	2NO	2
			230...240	1NO 1NC	2
	25 A	8.5 A	24	2NO	2
			230...240	2NO	2
			230...240	2NC	2
	40 A	15 A	220...240	2NO	4
3P 	25 A	8.5 A	220...240	3NO	4
	40 A	15 A	220...240	3NO	6
4P 	16 A	6 A	220...240	2NO 2NC	4
	25 A	8.5 A	24	4NO	4
			220...240	4NO	4
			24	4NC	4
			220...240	4NC	4
	40 A	15 A	220...240	2NO 2NC	4
			220...240	4NO	6
			220...240	4NC	6
	63 A	20 A	220...240	4NO	6
			220...240	4NC	6
			220...240	2NO 2NC	6
			220...240	3NO 1NC	6
100 A	-	220...240	4NO	12	

WCT Manually-controlled Contactor Type	Rated current In		control voltage V AC 50 Hz	contact	Width Multiple of 9mm
	AC7a	AC7b			
2P 	25 A	8.5 A	230...240	2NO	2
	40 A	15 A	220...240	2NO	4
	63 A	20 A	220...240	2NO	4
4P 	25 A	8.5 A	220...240	4NO	4
	40 A	15 A	220...240	4NO	6
	63 A	20 A	220...240	4NO	6

Manually-controlled



Overall and mounting dimensions(mm)

